

# 60cm Ovens



PYTHAGORA

GEOMETRY AT WORK



At Baumatic we have put thought and passion into the finer details, to capture the beauty of the most elaborate kitchen designs.

[WWW.BAUMATIC.COM.AU](http://WWW.BAUMATIC.COM.AU)

  
**Baumatic**<sup>®</sup>  
APPLIANCE CHIC



**P619SS**  
**60cm Fan Forced Oven**

**Features**

4 functions



59 litre capacity

Mark free stainless steel

EU Energy Efficiency: Class A

120 minute auto-off timer

Double-glazed removable door

Mirror-glass door

Chromed side racks

Cavity cooling system

**Standard Accessories**

1 x Enamelled baking tray

1 x Baking tray insert

1 x Tray handle

2 x Safety shelves

**Optional Accessories**

Pizza stone (BPS2)

**Connection**

15 amp plug



**P629SS**  
**60cm Multifunction Oven**

**Features**

7 functions



59 litre capacity

Mark free stainless steel

EU Energy Efficiency: Class A

LED 24hr program timer

Triple-glazed removable door

Mirror-glass door

Chromed side racks

Cavity cooling system

**Standard Accessories**

1 x Enamelled baking tray

1 x Baking tray insert

1 x Tray handle

2 x Safety shelves

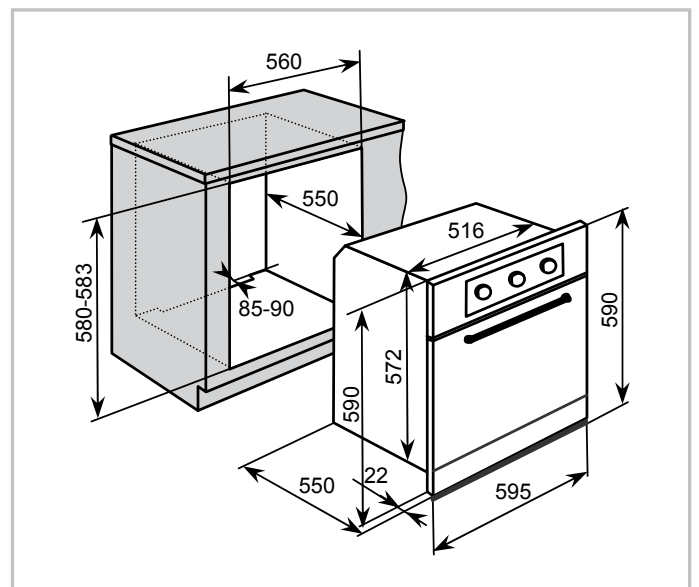
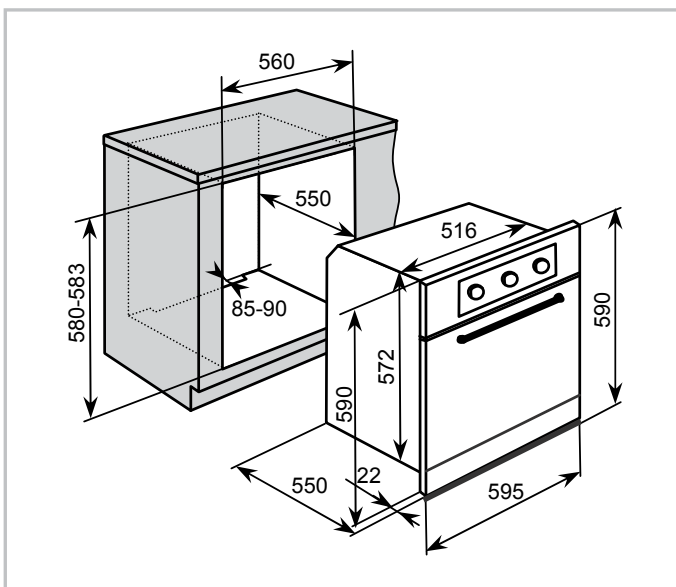
1 x Telescopic runner

**Optional Accessories**

Pizza stone (BPS2)

**Connection**

15 amp plug





**P639SS**  
**60cm Multifunction Oven**

**Features**

9 functions



59 litre capacity

Mark free stainless steel

EU Energy Efficiency: Class A

LED 24hr program timer

Triple-glazed removable door

Mirror-glass door

Chromed side racks

Cavity cooling system

**Standard Accessories**

1 x Enamelled baking tray

1 x Baking tray insert

1 x Tray handle

2 x Safety shelves

2 x Telescopic runners

1 x Removable roof liner

1 x Pizza stone (BPS2)

**Connection**

15 amp plug



**P639BS**  
**60cm Multifunction Oven**

**Features**

9 functions



59 litre capacity

Black steel finish

EU Energy Efficiency: Class A

LED 24hr program timer

Triple-glazed removable door

Mirror-glass door

Chromed side racks

Cavity cooling system

**Standard Accessories**

1 x Enamelled baking tray

1 x Baking tray insert

1 x Tray handle

2 x Safety shelves

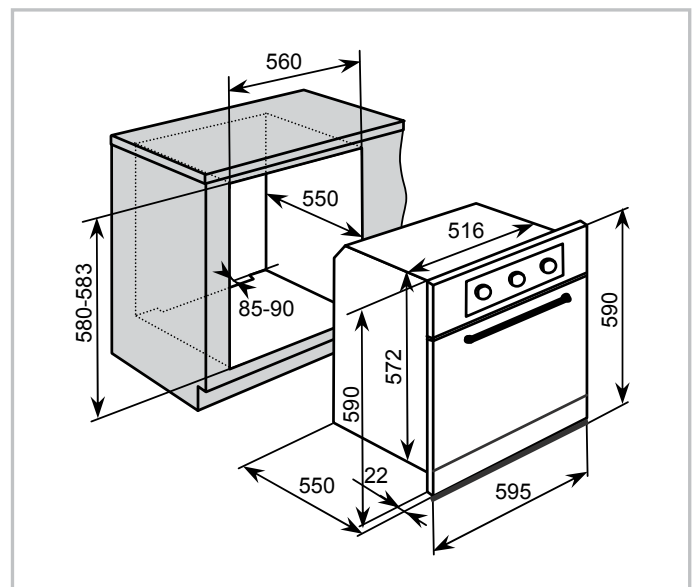
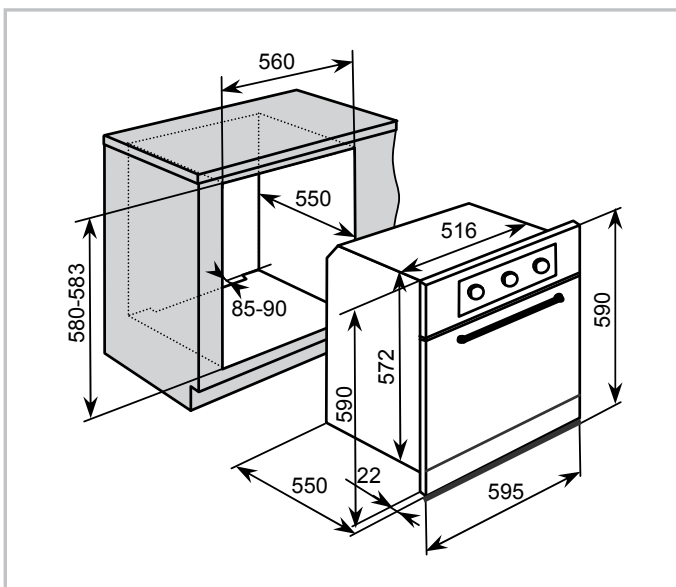
2 x Telescopic runners

1 x Removable roof liner

1 x Pizza stone (BPS2)

**Connection**

15 amp plug



# Oven Features



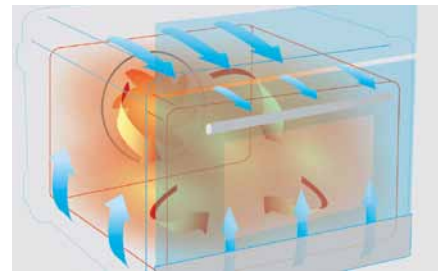
## Triple Glazed Glass Doors

Three layers of glass in the oven door maintain the internal temperature more efficiently while keeping the external door temperature safer to touch. Baumatic ovens come with a full width inner door glass, making cleaning easier.



## Telescopic Runners

Our telescopic shelf system ensures that you have the confidence to use even the largest dishes in your oven. The stability and strength of the shelf enables you to access your recipes with ease and safety.



## Cavity Cooling System

An inbuilt cooling fan circulates air around the oven to maintain a safe surface temperature and protect cabinets from heat damage. This cooling fan will continue to work until the temperature reaches a safe level.



## Baking/Pizza Stone (Accessory BPS2)

With Baumatic's pizza stone, simply preheat your oven with the stone in it and place your recipe on the top for a perfect crisp result. The pizza stone will enhance the cooking of pizzas, quiches, breads or any recipe that requires a crisp base.



## Mark Free Stainless Steel

Baumatic ovens feature a specially designed mark resistant coating. Simply wipe over with Baumatic's handy microfiber cloth to keep your oven looking like new.



## Removable Roof Liners

Cleaning your oven has been made easy with Baumatic's removable roof liner. You no longer need to clean behind the grill. Simply remove the roof liner from behind the grill element, wash and slide back into place.

*\*Please refer to specifications for individual model features.*

## Baumatic: Customer Care Program

Our mission at Baumatic is not only to offer you a quality product but to provide you with the support that you deserve when you purchase one of our appliances. Your appliance is supported by a 2 year parts and labour customer care program provided by Think Appliances.

[WWW.BAUMATIC.COM.AU](http://WWW.BAUMATIC.COM.AU)

**Baumatic**<sup>®</sup>  
APPLIANCE CHIC

Baumatic Appliances  
416-424 Barry Road  
Coolaroo, Victoria, AUSTRALIA 3048

Customer Care Phone 1800 444 357  
Sales Phone 1300 132 824  
Spare Parts Phone 1300 306 973

Customer Care Fax 1300 133 279  
Sales Fax 1300 660 188  
Spare Parts Fax 1300 887 306

All Baumatic appliances are suitable for household and domestic use only and come with a 2 year parts and labour customer care warranty for your peace of mind. Baumatic is imported and serviced by Think Appliances who reserve the right to adjust and modify products in this brochure without prior notification. Some images in this brochure may be indicative. To get the most from your Baumatic appliances or in the event you require any assistance please contact the relevant department above.