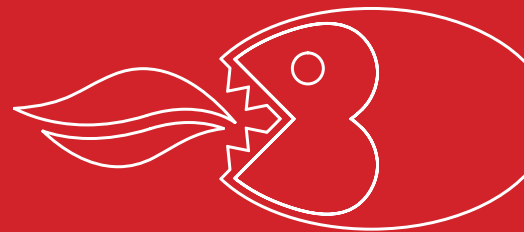


**OVENS**  
SLIMLINE COLLECTION



## 60cm Fan Forced Oven



### Features

4 functions  
59 litre capacity  
Mark free stainless steel  
EU Energy Efficiency: Class A  
120 minute auto-off timer  
Double-glazed removable door  
Moulded side racks  
Cavity cooling system

### Standard Accessories

1 x Enamelled baking tray  
1 x Baking tray insert  
1 x Tray handle  
1 x Safety shelf

### Optional Accessories

1 x Pizza stone (BPS2)

### Connection

15 amp plug



## 60cm Multifunction Oven



### Features

5 functions  
59 litre capacity  
Mark free stainless steel  
EU Energy Efficiency: Class A  
LED programmable timer  
Double-glazed removable door  
Chromed side racks  
Cavity cooling system

### Standard Accessories

1 x Enamelled baking tray  
1 x Baking tray insert  
1 x Tray handle  
1 x Safety shelf  
1 x Pizza stone (BPS2)

### Connection

15 amp plug



## 60cm Multifunction Oven



### Features

7 functions  
59 litre capacity  
Mark free stainless steel  
EU Energy Efficiency: Class A  
LED programmable timer  
Triple-glazed removable door  
Chromed side racks  
Cavity cooling system  
Catalytic liners

### Standard Accessories

1 x Enamelled baking tray  
1 x Baking tray insert  
1 x Safety shelf  
1 x Telescopic runner  
1 x Pizza stone (BPS2)

### Connection

15 amp plug



## 60cm Pyrolytic Multifunction Oven



### Features

10 functions  
65 litre MEGACHEF capacity  
EU Energy Efficiency: Class A  
Digital temperature & function display  
LED fully programmable timer  
Quadruple-glazed removable door  
Moulded side racks  
Cavity cooling system

### Standard Accessories

1 x Enamelled baking tray  
1 x Baking tray insert  
2 x Safety shelves

### Connection

15 amp plug



## 60cm Double Multifunction Oven

### Features

- Mark free stainless steel
- EU Energy Efficiency: Class A
- LED programmable timer
- Triple-glazed removable door
- Chromed side racks
- Cavity cooling system

### Standard Accessories

- 1 x Enamelled baking tray
- 1 x Baking tray insert
- 1 x Tray handle
- 3 x Safety shelves
- 1 x Telescopic runner
- 1 x Pizza stone (BPS2)

### Connection

Hardwired

### Main Oven

7 functions



60 litre capacity

Catalytic liners

### Second Oven

4 functions



36 litre capacity



BSD67MS

# Baumatic: Appliance Chic

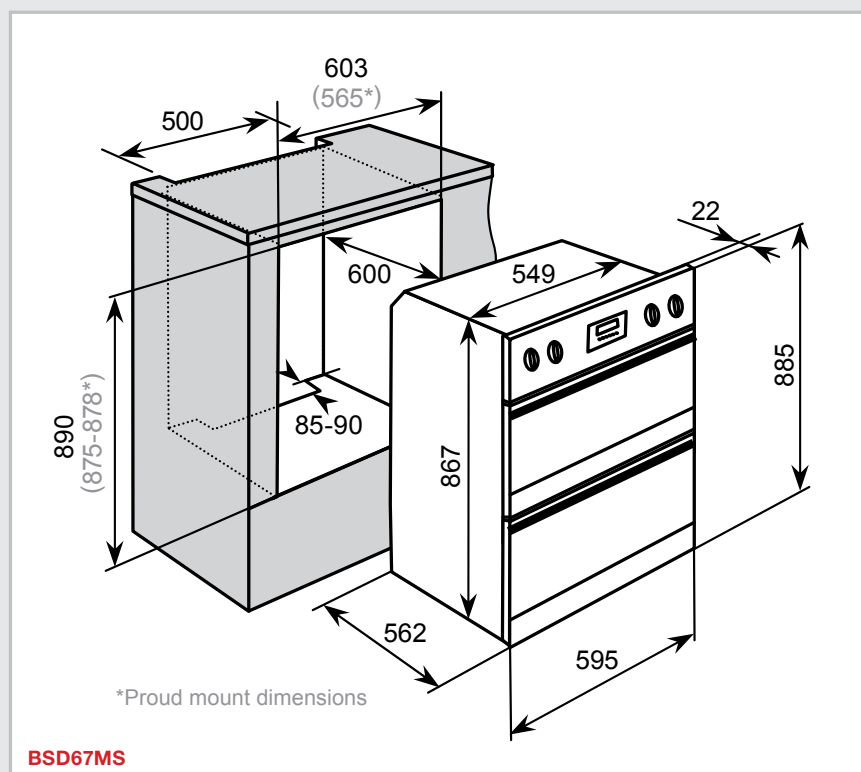
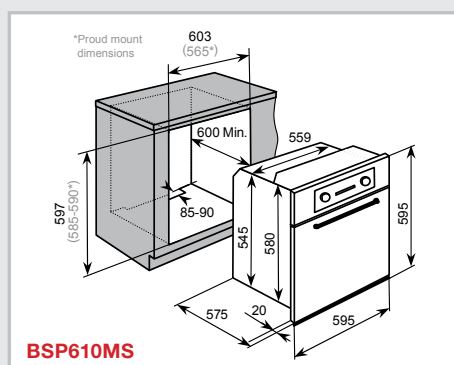
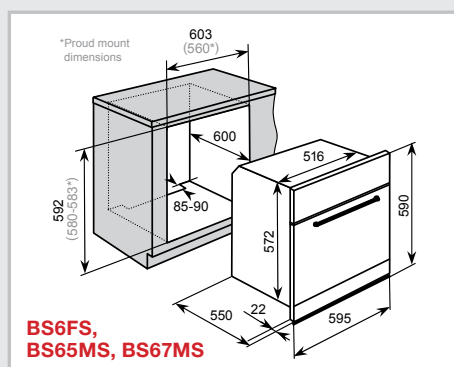
Baumatic is a universal brand expanding its passion for innovation and style to almost 50 countries world wide. Established in the UK in 1992, it brings many years of expertise in the kitchen appliance industry.

The essence of our strength is in quality products at affordable prices, whilst never compromising on safety and features. This success is made possible

thanks to our global purchasing power and our universal affiliations.

At Baumatic we have put thought and passion into the finer details, to capture the beauty of the most elaborate kitchen designs.

Baumatic, Appliance Chic.



OVEN SPECIFICATIONS

# Oven Features



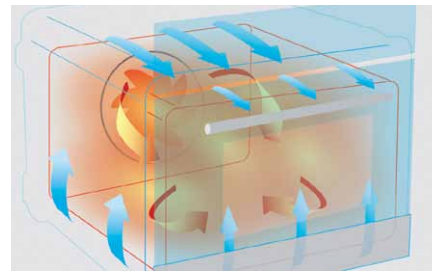
## Triple Glazed Glass Doors

Three layers of glass in the oven door maintain the internal temperature more efficiently while keeping the external door temperature safer to touch. Baumatic ovens come with a full width inner door glass, making cleaning easier.



## Telescopic Runners

Our telescopic shelf system ensures that you have the confidence to use even the largest dishes in your oven. The stability and strength of the shelf enables you to access your recipes with ease and safety.



## Cavity Cooling System

An inbuilt cooling fan circulates air around the oven to maintain a safe surface temperature and protect cabinets from heat damage. This cooling fan will continue to work until the temperature reaches a safe level.



## Baking/Pizza Stone (Accessory BPS2)

With Baumatic's pizza stone, simply preheat your oven with the stone in it and place your recipe on the top for a perfect crisp result. The pizza stone will enhance the cooking of pizzas, quiches, breads or any recipe that requires a crisp base.



## Mark Free Stainless Steel

Baumatic ovens feature a specially designed mark resistant coating. Simply wipe over with Baumatic's handy microfiber cloth to keep your oven looking like new.



## Catalytic Oven Liners

Selected Baumatic ovens have been fitted with grease absorbent panels to the side walls and rear wall of the oven interior to absorb grease splattering from cooking. When cooking at temperatures higher than 190 degrees, food residue is burned off the panels minimising build up of grease and grime, resulting in lower maintenance of the oven interior.

*\*Please refer to specifications for individual model features.*

## Baumatic: Customer Care Program

Our mission at Baumatic is not only to offer you a quality product but to provide you with the support that you deserve when you purchase one of our appliances. Your appliance is supported by a 2 year parts and labour customer care program provided by Think Appliances.

[WWW.BAUMATIC.COM.AU](http://WWW.BAUMATIC.COM.AU)

  
**Baumatic**<sup>®</sup>  
APPLIANCE CHIC

Baumatic Appliances  
416-424 Barry Road  
Coolaroo, Victoria, AUSTRALIA 3048

Customer Care Phone 1800 444 357  
Sales Phone 1300 132 824  
Spare Parts Phone 1300 306 973

Customer Care Fax 1300 133 279  
Sales Fax 1300 660 188  
Spare Parts Fax 1300 887 306

All Baumatic appliances are suitable for household and domestic use only and come with a 2 year parts and labour customer care warranty for your peace of mind. Baumatic is imported and serviced by Think Appliances who reserve the right to adjust and modify products in this brochure without prior notification. Some images in this brochure may be indicative. Please refer to individual product user manuals for full installation details. To get the most from your Baumatic appliances or in the event you require any assistance please contact the relevant department above.